

TG3Z2312FCS

3X 2.3mm - 6mm F1.2
for 1/3 type Cameras, Vari-focal Auto Iris DC Drive
CS-Mount

with Focus, w/o Amplifier

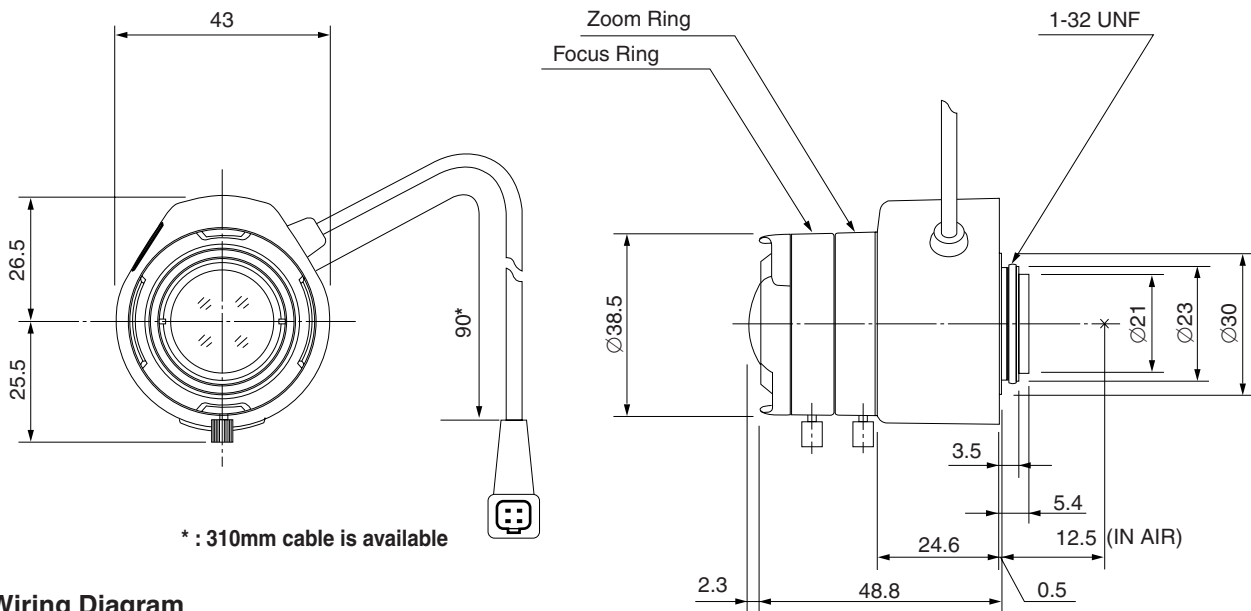
1/3
type

Model No.	TG3Z2312FCS		Effective	Front	Ø19.5mm
Focal Length	2.3mm - 6mm		Lens Aperture	Rear	Ø9.0mm
Max. Aperture Ratio	1:1.2		Back Focal	Tele	15mm
Max. Image Format	4.8mm x 3.6mm(Ø6mm)			Length	Wide
Operation Range	Iris	F1.2 - F360C	Flange Back Length		12.5mm
	Focus	0.3m - Inf.	Mount		CS-Mount
	Zoom	2.3mm - 6mm	Filter Size		—
Control	Iris	DC Auto Iris	Dimensions		Ø38.5mm x 48mm x 51.1mm
	Focus	Manual	Weight		76g
	Zoom	Manual			
Object Dimension at M.O.D.	2.3mm	93.8cm x 56cm			
	6mm	26.8cm x 19.6cm			
Angle of View	D	1/3 type	143.8° - 60.0°	1/4 type	107.7° - 45.1°
	H				86.0° - 36.2°
	V				86.0° - 36.2°
Coil	Drive	190Ω			
	Control	855Ω			
Operating Temperature	-20°C - +50°C				

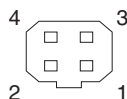
M.O.D : Minimum Object Distance

CS

Dimensions



Wiring Diagram



Pin No.

1	BROWN	Control (-)
2	RED	Control (+)
3	YELLOW	Drive (+)
4	ORANGE	Drive (-)