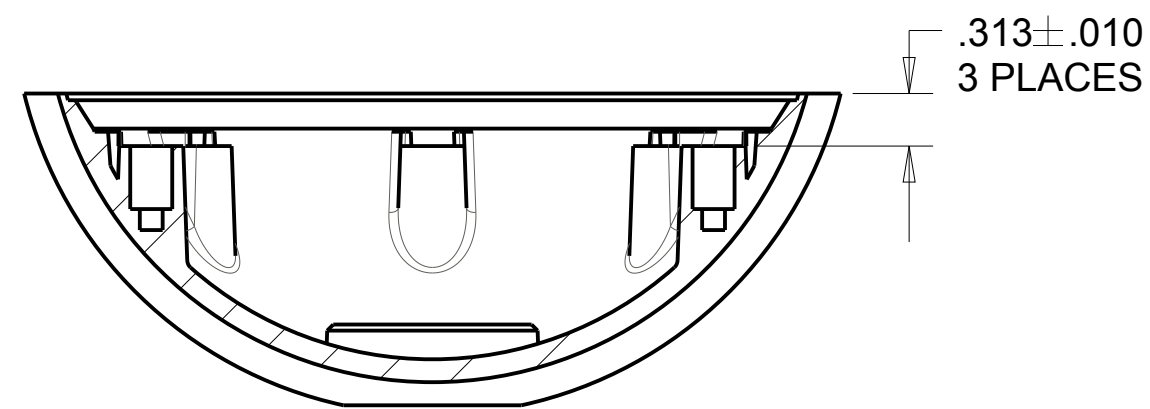
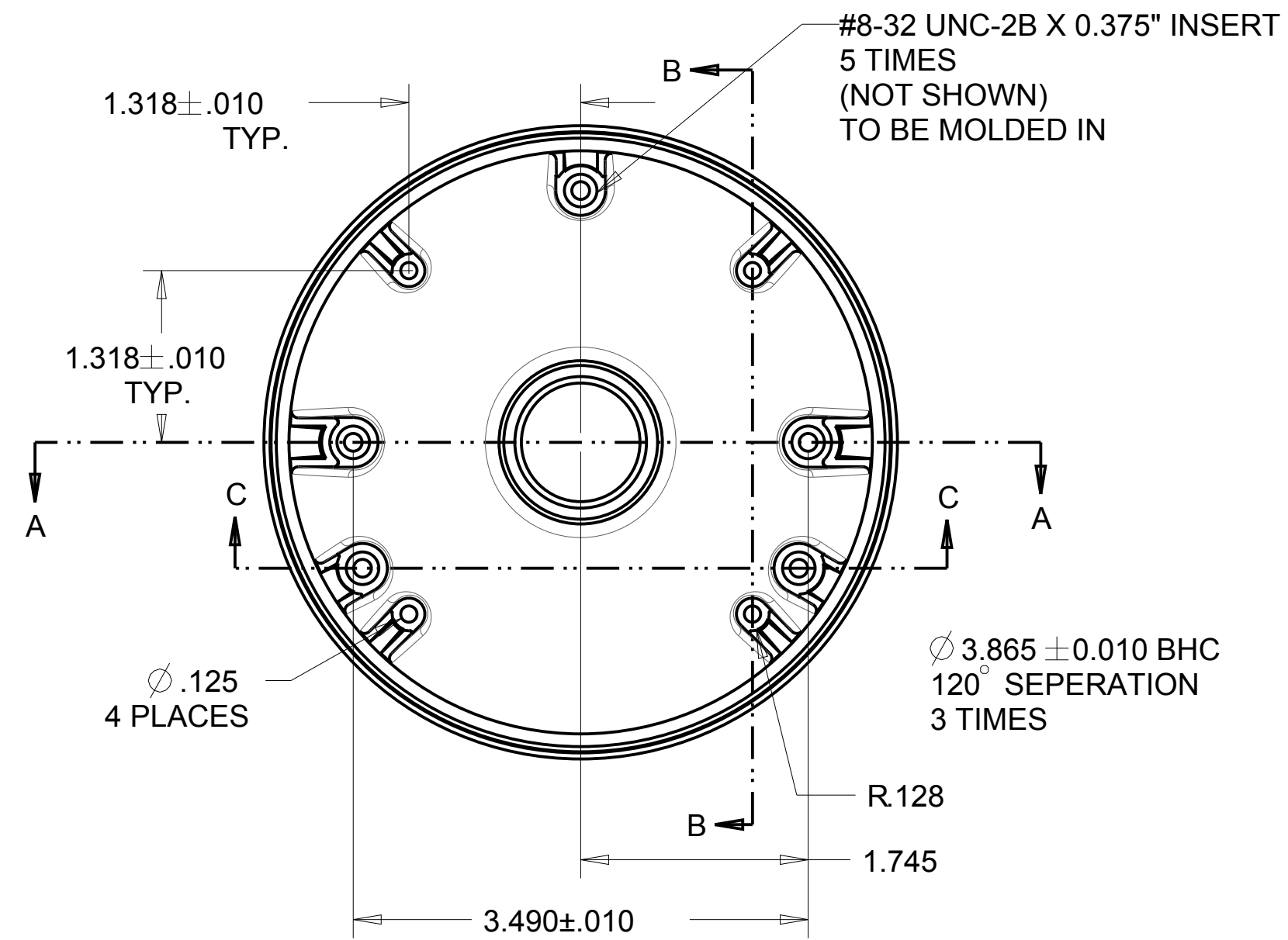
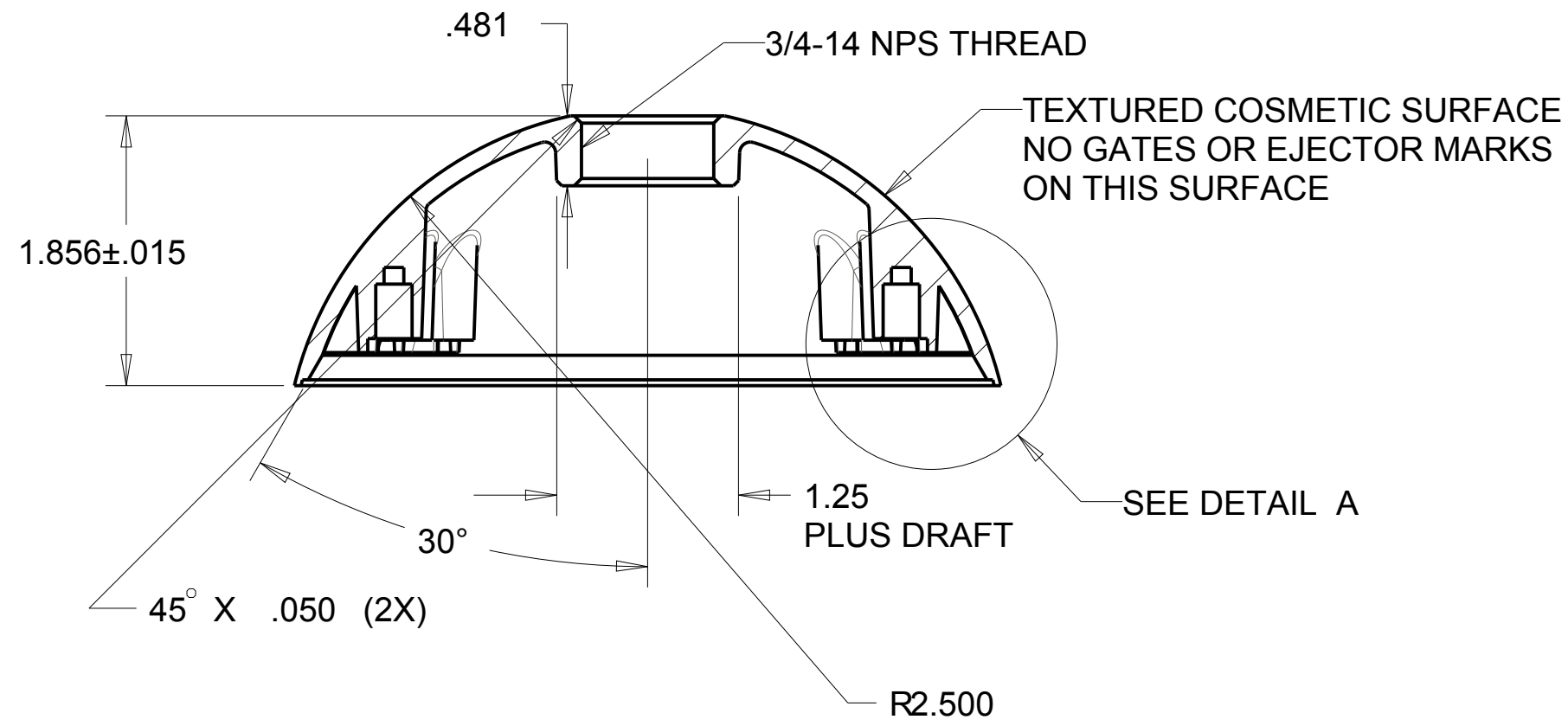


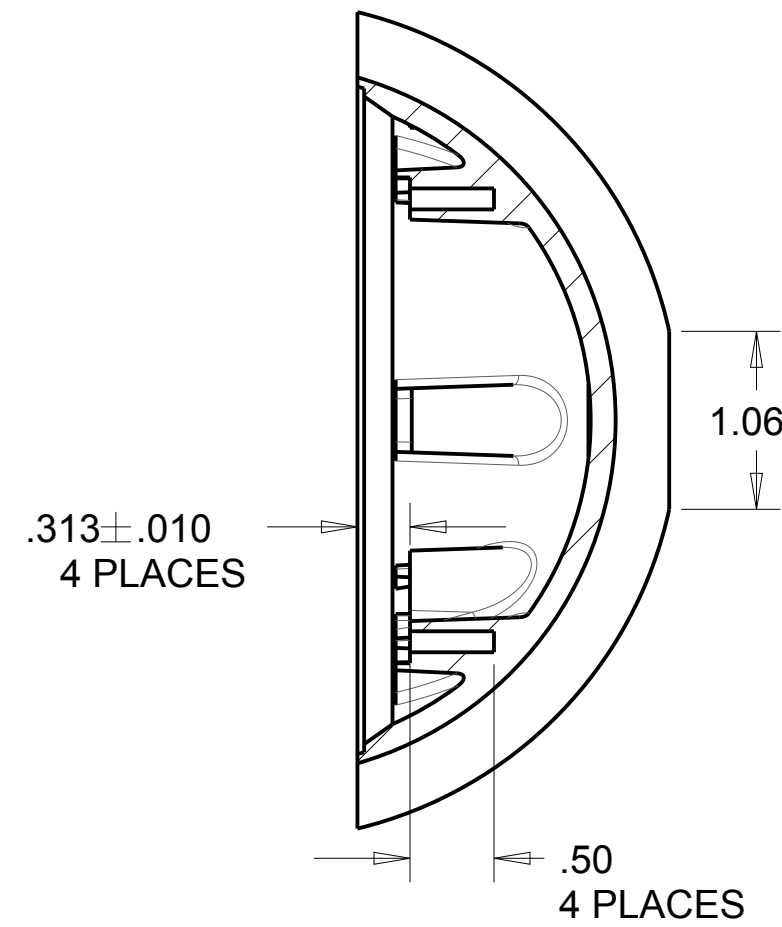
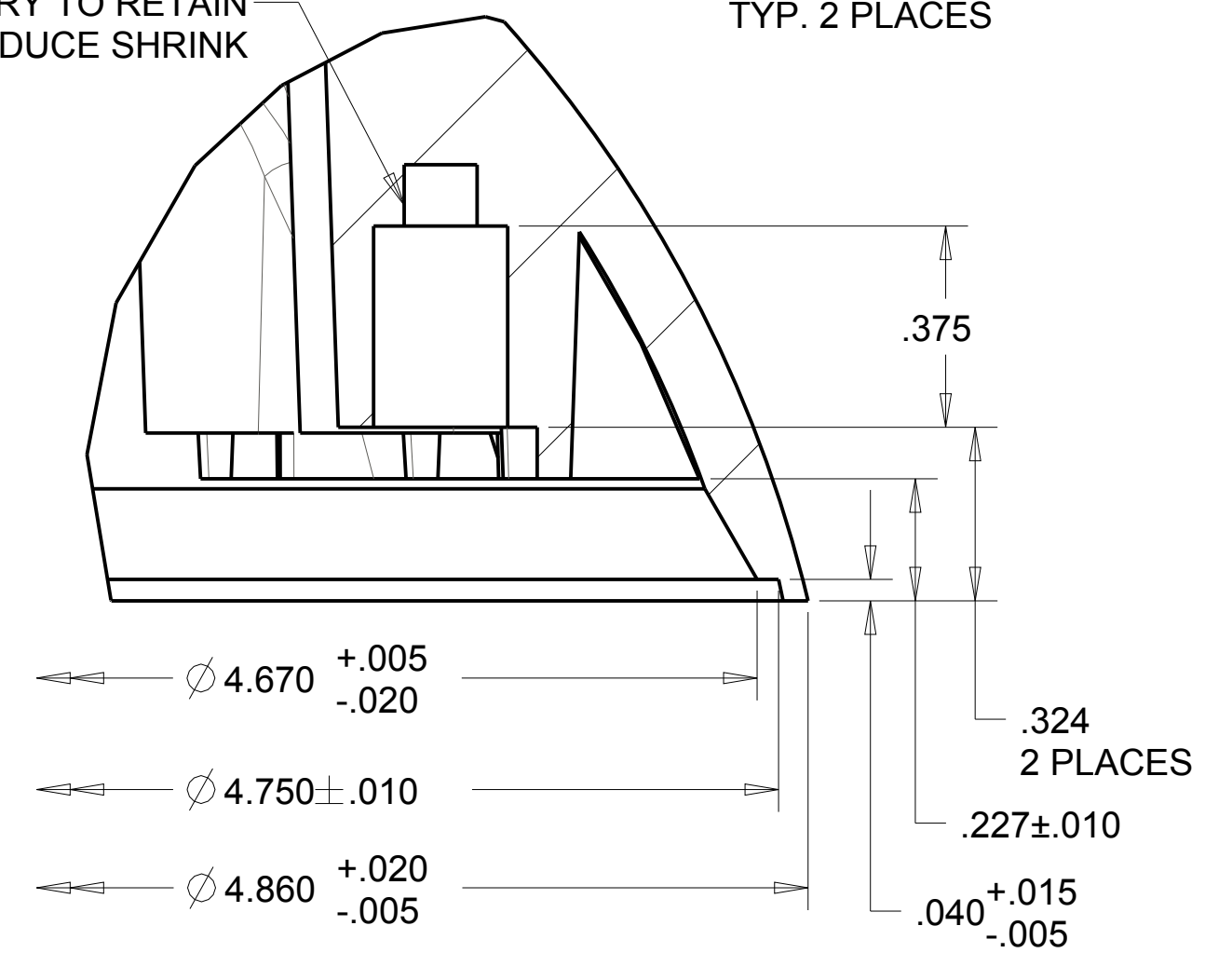
SECTION A-A



SECTION C-C

AS NECESSARY TO RETAIN
INSERT AND REDUCE SHRINK

DETAIL A
SCALE 3.000
TYP. 2 PLACES



SECTION B-B

MATERIAL: POLYCARBONATE,
10% GLASS FILL
APPROX. VOLUME = 4.09 CU. IN. (Y.Y CC) □
APPROX. PART WEIGHT = 3.24 OZ. (Z.Z G) □
COLOR: REF. PANTONE 427C
TEXTURE: REF. YICK SANG YS9288

ZC7-PM1